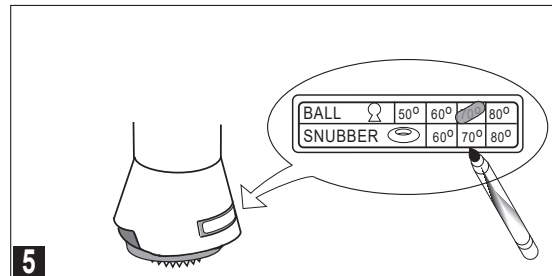
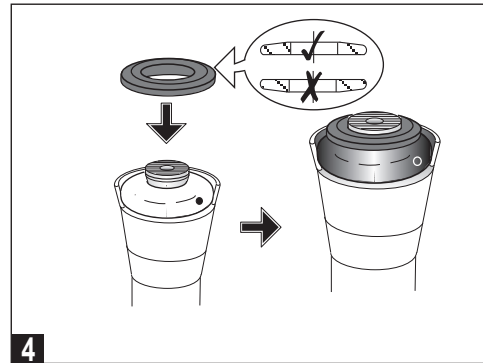
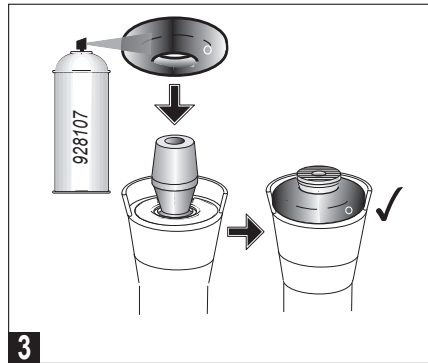
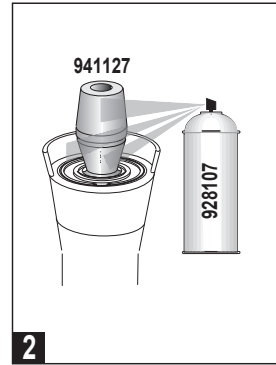
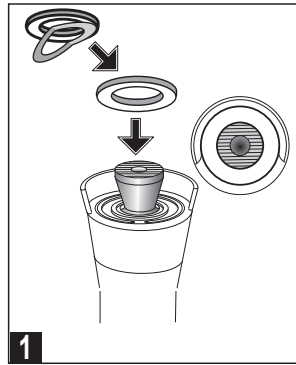
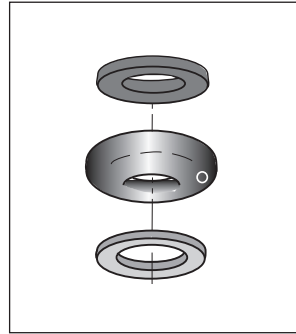


Standard Snubber Kits 409007 - 409009

Blatchford:

- 409007 409008 409009
 60° 70° 80°
 White Orange Blue



Blatchford Products Ltd
 Unit D Antura
 Kingsland Business Park
 Basingstoke, RG24 8PZ
 UNITED KINGDOM
 Tel: +44 (0) 1256 316600
 Fax: +44 (0) 1256 316710
 Email: sales@blatchford.co.uk
 www.blatchford.co.uk



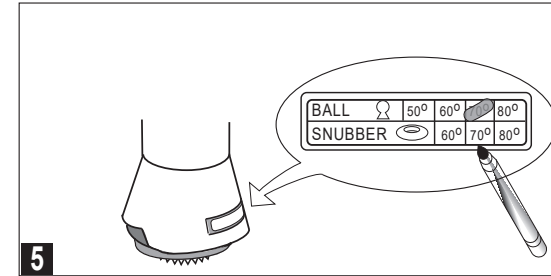
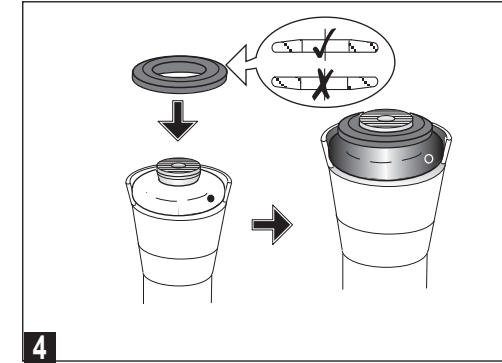
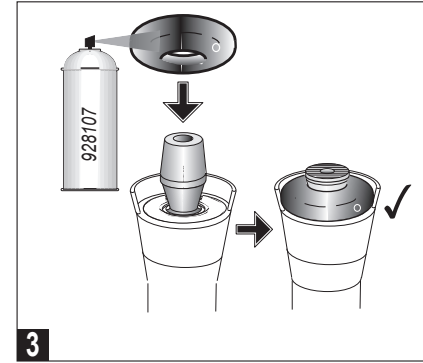
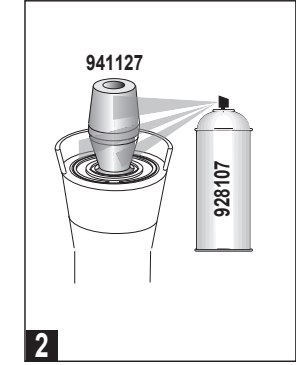
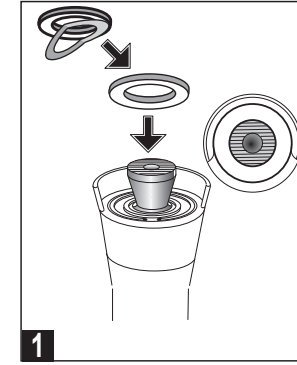
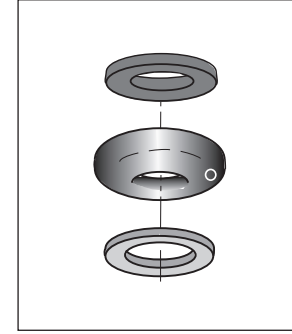
934331/07-0819

Blatchford is a registered trademark of Blatchford Products Limited.
 Blatchford est une marque déposée de Blatchford Products Limited.
 Blatchford ist eine eingetragene Marke von Blatchford Products Limited.
 Blatchford è un marchio registrato di Blatchford Products Limited.
 Blatchford es una marca registrada de Blatchford Products Limited.

Standard Snubber Kits 409007 - 409009

Blatchford:

- 409007 409008 409009
 60° 70° 80°
 White Orange Blue



Blatchford Products Ltd
 Unit D Antura
 Kingsland Business Park
 Basingstoke, RG24 8PZ
 UNITED KINGDOM
 Tel: +44 (0) 1256 316600
 Fax: +44 (0) 1256 316710
 Email: sales@blatchford.co.uk
 www.blatchford.co.uk



934331/07-0819

Blatchford is a registered trademark of Blatchford Products Limited.
 Blatchford est une marque déposée de Blatchford Products Limited.
 Blatchford ist eine eingetragene Marke von Blatchford Products Limited.
 Blatchford è un marchio registrato di Blatchford Products Limited.
 Blatchford es una marca registrada de Blatchford Products Limited.